

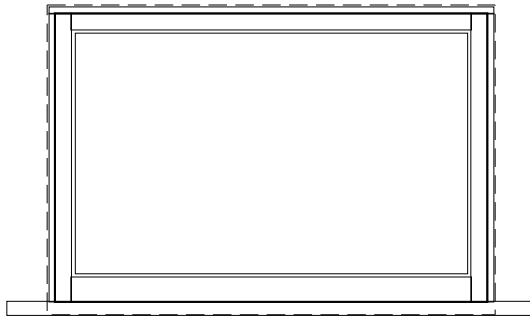


STANDARD DETAILS

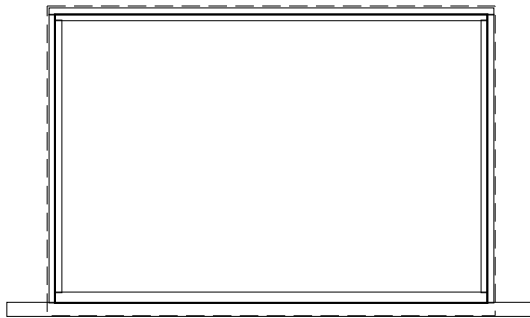
Fixed Windows

SHEET INDEX

<u>SHEET</u>	<u>WINDOW TYPE</u>
1.03	ELEVATIONS, FIXED
	Ø FIXED
2.22-2.23	FIXED SASH (FX)
2.24-2.25	DIRECT GLAZED (DG)




FIXED SASH (FX)



DIRECT GLAZED (DG)

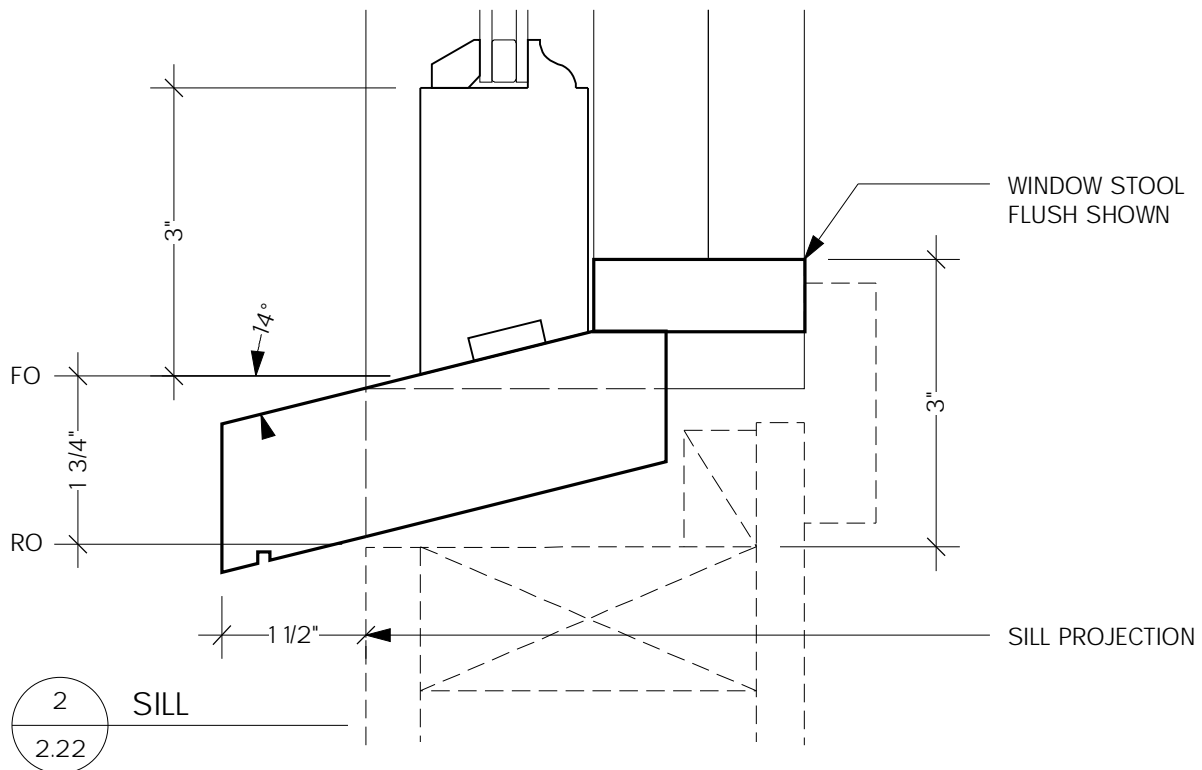
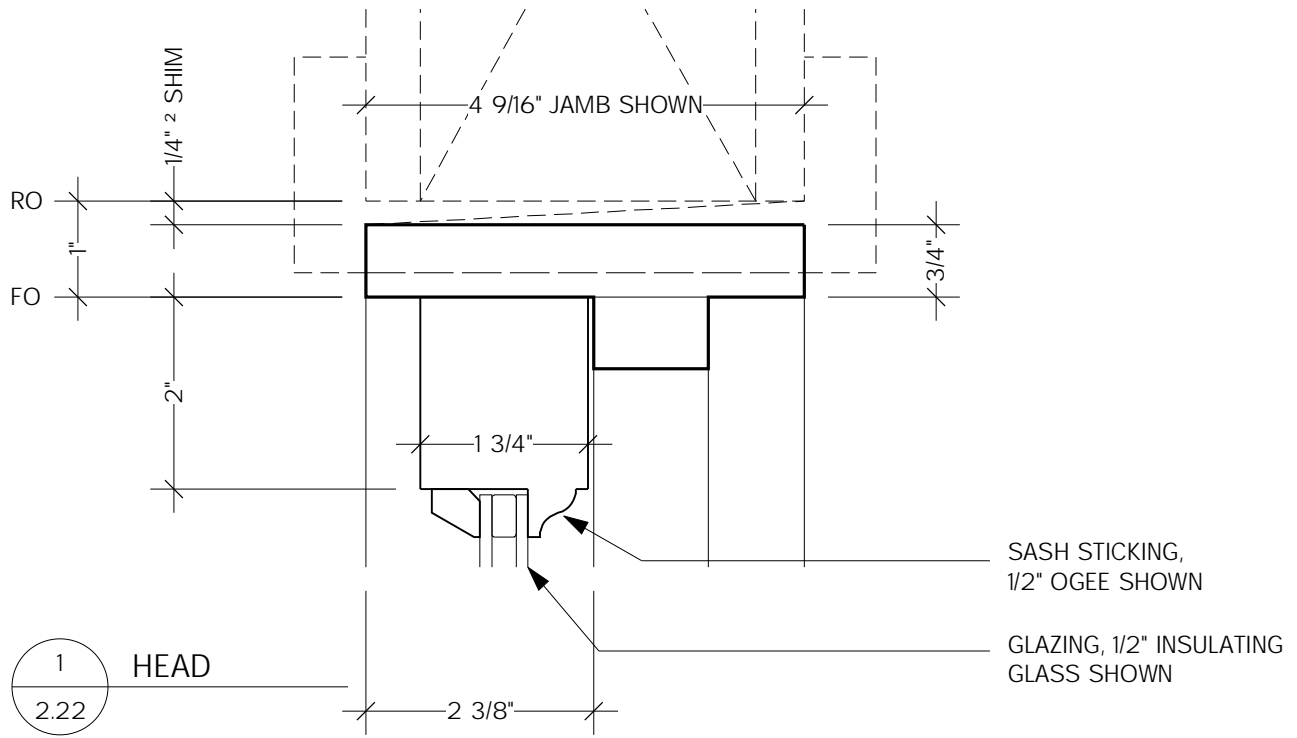
FIXED WINDOWS

----- SHORT DASHED LINE INDICATES BY OTHERS

SAMPLE EXTERIOR ELEVATIONS	1/2" = 1'-0"		7/14/04
STANDARD DETAILS		APPROVED	SHEET 1.03

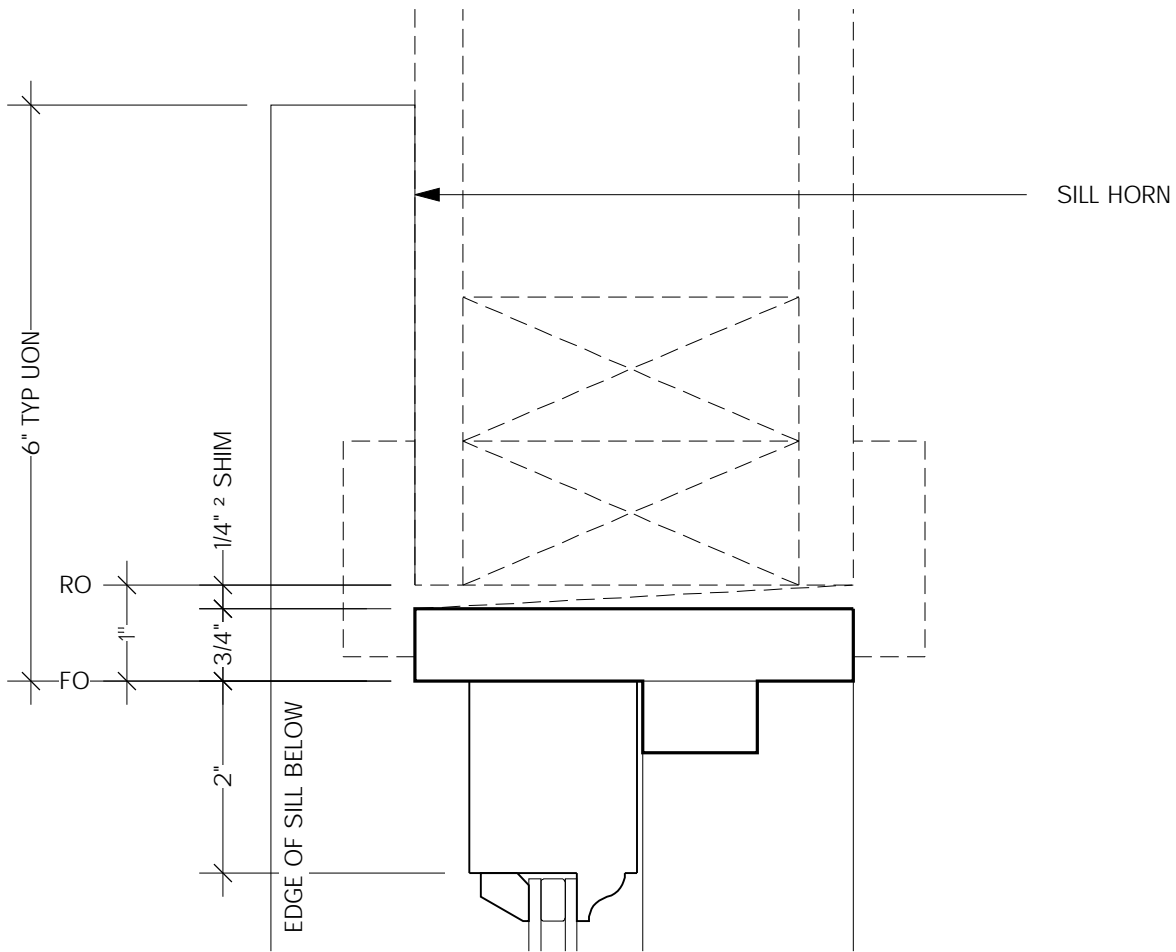
DATE

SHEET



----- SHORT DASHED LINE INDICATES BY OTHERS

FIXED (FX)	1/2 FULL SIZE		7/14/04
STANDARD DETAILS	SEBASTOPOL WINDOW COMPANY	APPROVED	SHEET 2.22



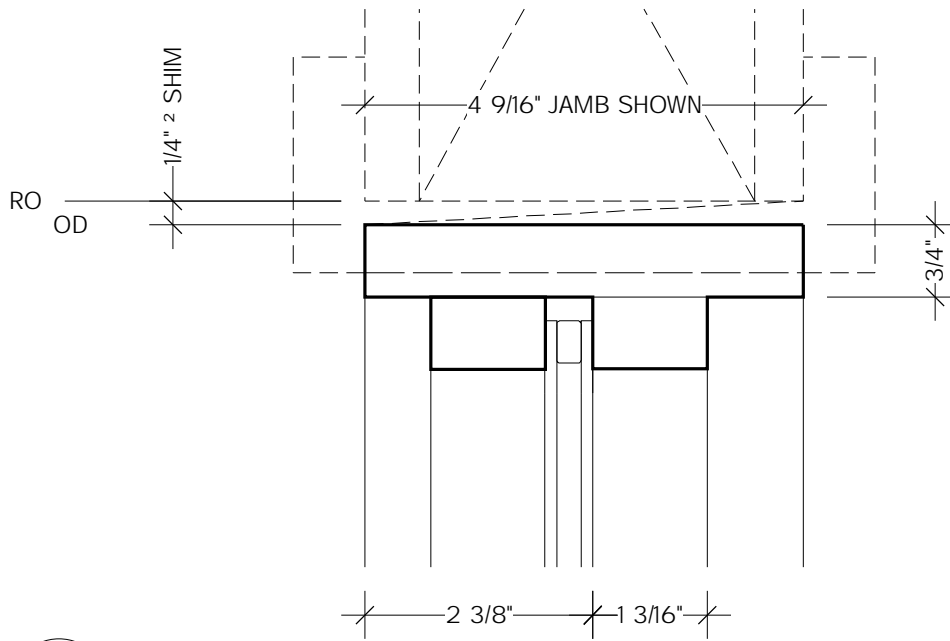
1 JAMB
2.23

----- SHORT DASHED LINE INDICATES BY OTHERS

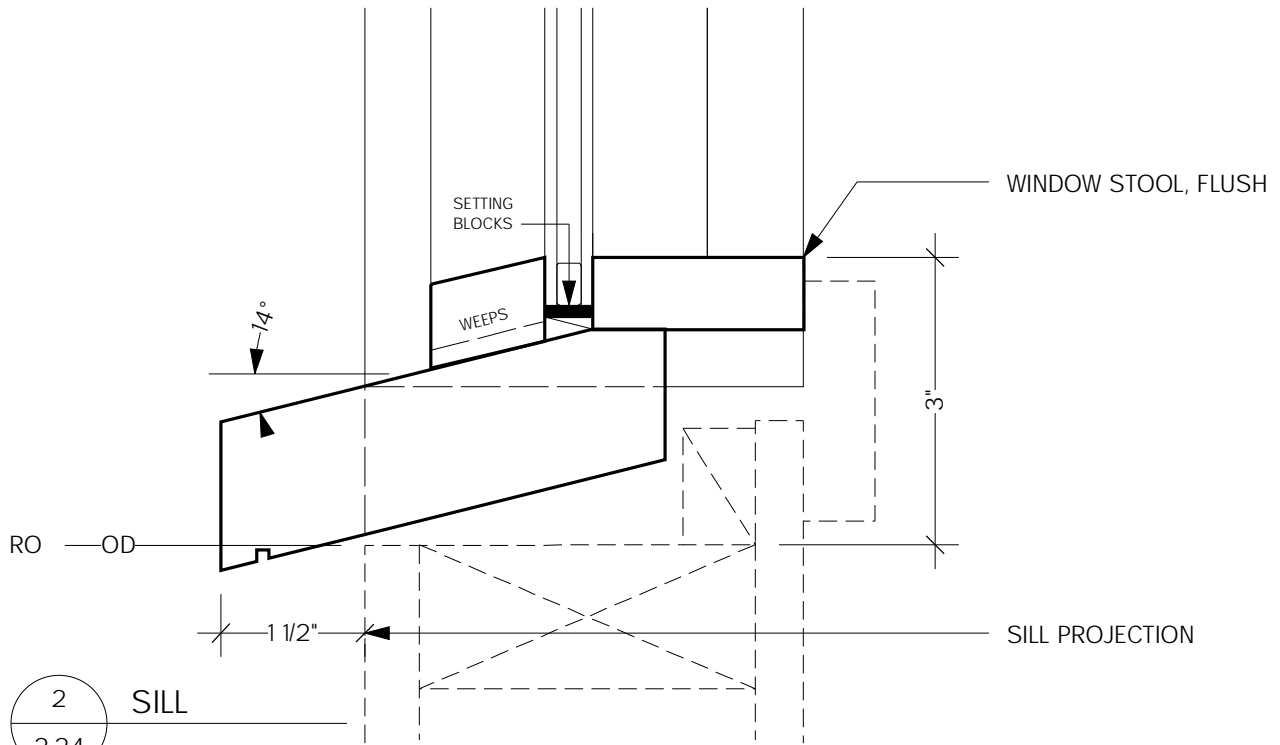
FIXED (FX)	1/2 FULL SIZE		7/14/04
STANDARD DETAILS	SEBASTOPOL WINDOW COMPANY	APPROVED	SHEET 2.23

DATE

StdetWEB.mcd



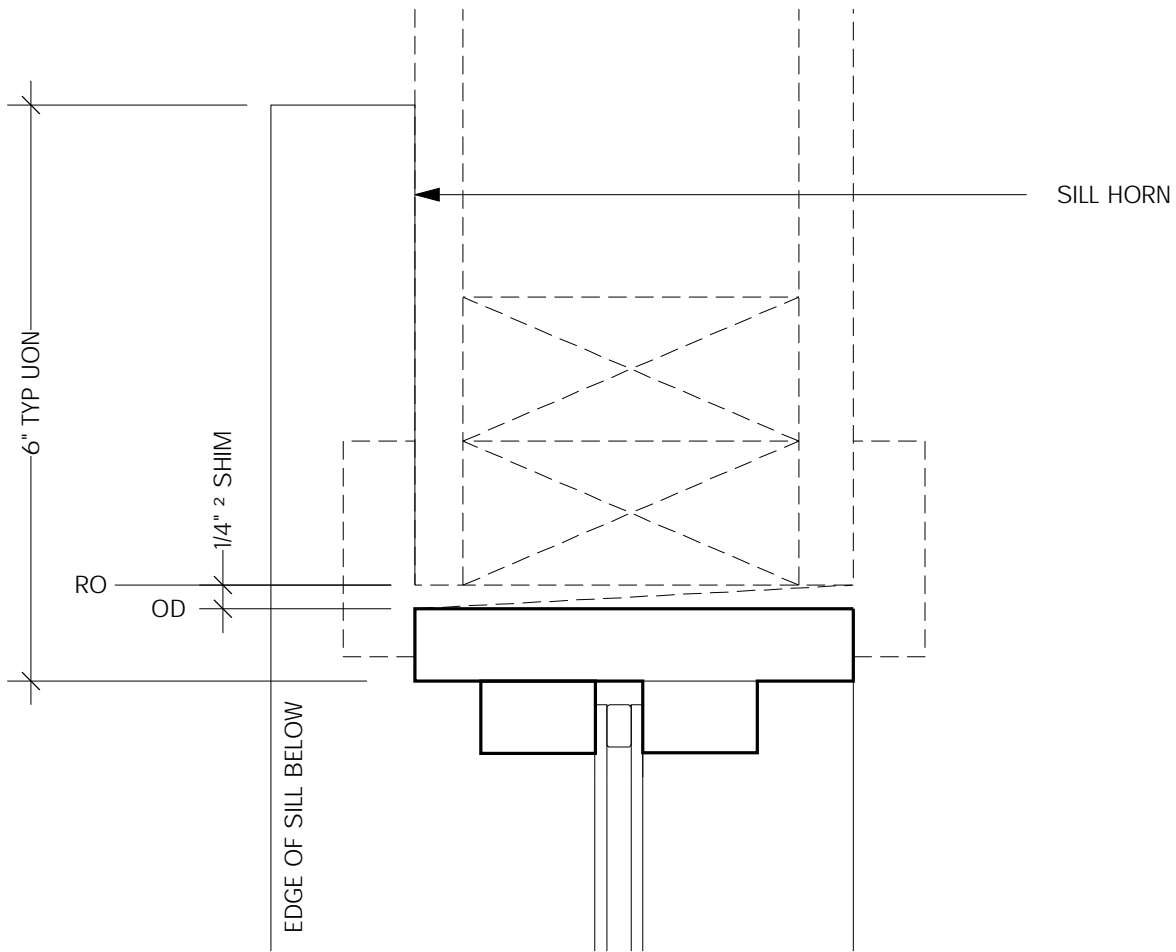
1 HEAD
2.24



2 SILL
2.24

----- SHORT DASHED LINE INDICATES BY OTHERS

DIRECT GLAZED (DG)	1/2 FULL SIZE		7/14/04
STANDARD DETAILS	SEBASTOPOL WINDOW COMPANY	APPROVED	SHEET 2.24



1
2.25

JAMB

----- SHORT DASHED LINE INDICATES BY OTHERS

DIRECT GLAZED (DG)	1/2 FULL SIZE		7/14/04
STANDARD DETAILS	SEBASTOPOL WINDOW COMPANY	APPROVED	SHEET 2.25

DATE

SHEET

2.25