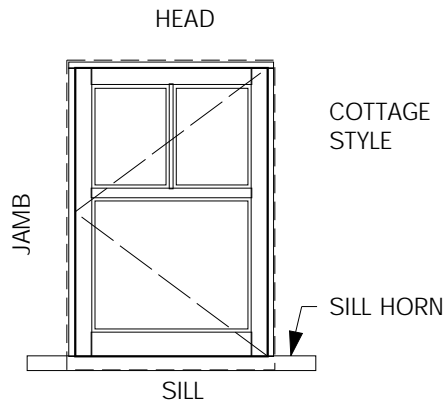




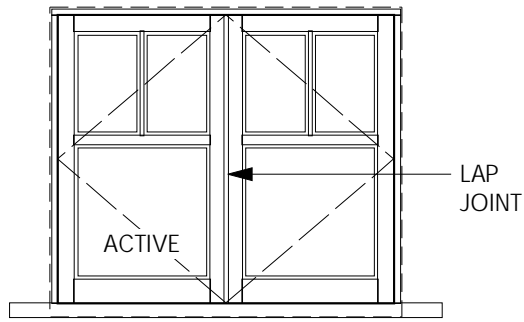
# STANDARD DETAILS

## Hinged Windows SHEET INDEX

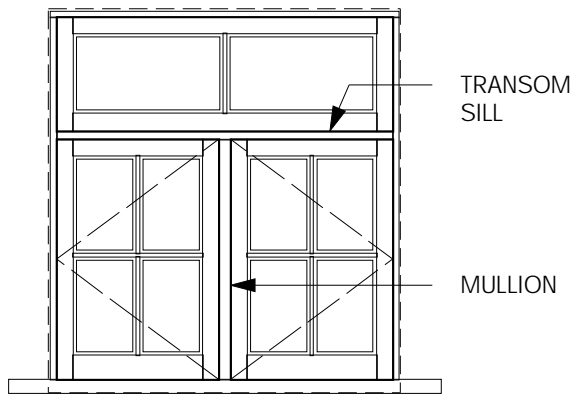
<u>SHEET</u>	<u>WINDOW TYPE</u>
1.01	ELEVATIONS, HINGED
	Ø HINGED, SIMPLE
2.01-2.04	CASEMENT (CS), PAIR (CP), TRIPLE (CT) SIM
2.05-2.06	AWNING (AW)
2.07-2.08	HOPPER (HP)
2.09-2.10	CASEMENT INSWING (CI)
	Ø HINGED W/ SCREENS
2.11-2.12	CS W/ CRANKS & SCREEN (AW) SIM
2.13-2.14	CS W/ ROLL SCREEN
2.15-2.16	CS W/ ROLL SCREEN CONCEALED



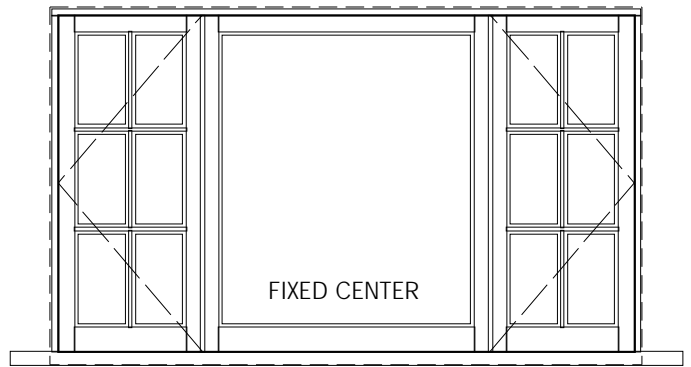
CASEMENT (CS)  
LH



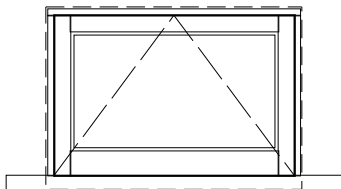
CASEMENT PR (CP)  
LH



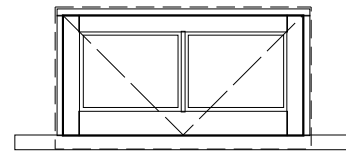
DBL CASEMENT



CASEMENT TRIPLE (CT)



AWNING (AW)




HOPPER (HP)

FO - FINISH OPENING (SASH SIZE)  
 OD - OUTSIDE FRAME DIMENSION  
 RO - ROUGH OPENING  
 (T) - SAFETY GLASS  
 TYP - TYPICAL  
 UON - UNLESS OTHERWISE NOTED

 - CALLOUT SIZE (BOXED)

HINGED WINDOWS

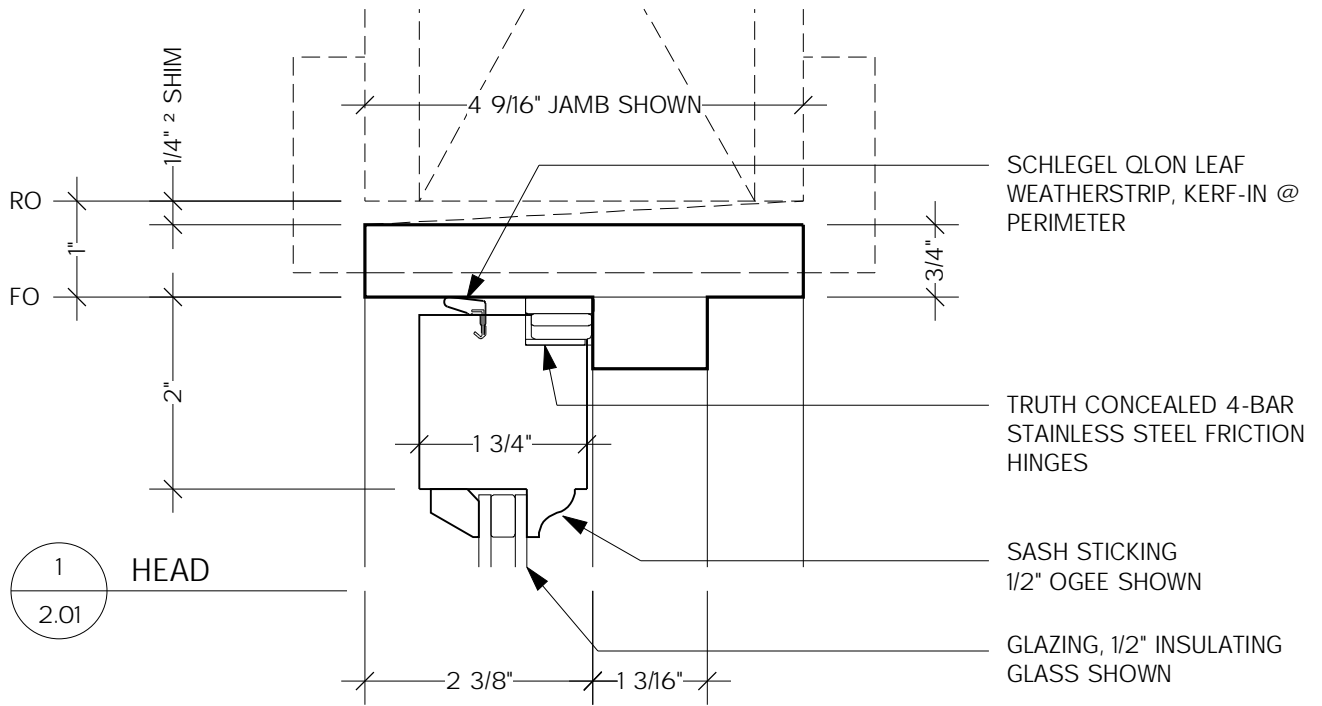
----- SHORT DASHED LINE INDICATES BY OTHERS

SAMPLE EXTERIOR ELEVATIONS	1/2" = 1'-0"		7/14/04
STANDARD DETAILS		APPROVED	SHEET <b>1.01</b>

DATE

SHEET

1.01



SCHLEGEL QLON LEAF WEATHERSTRIP, KERF-IN @ PERIMETER

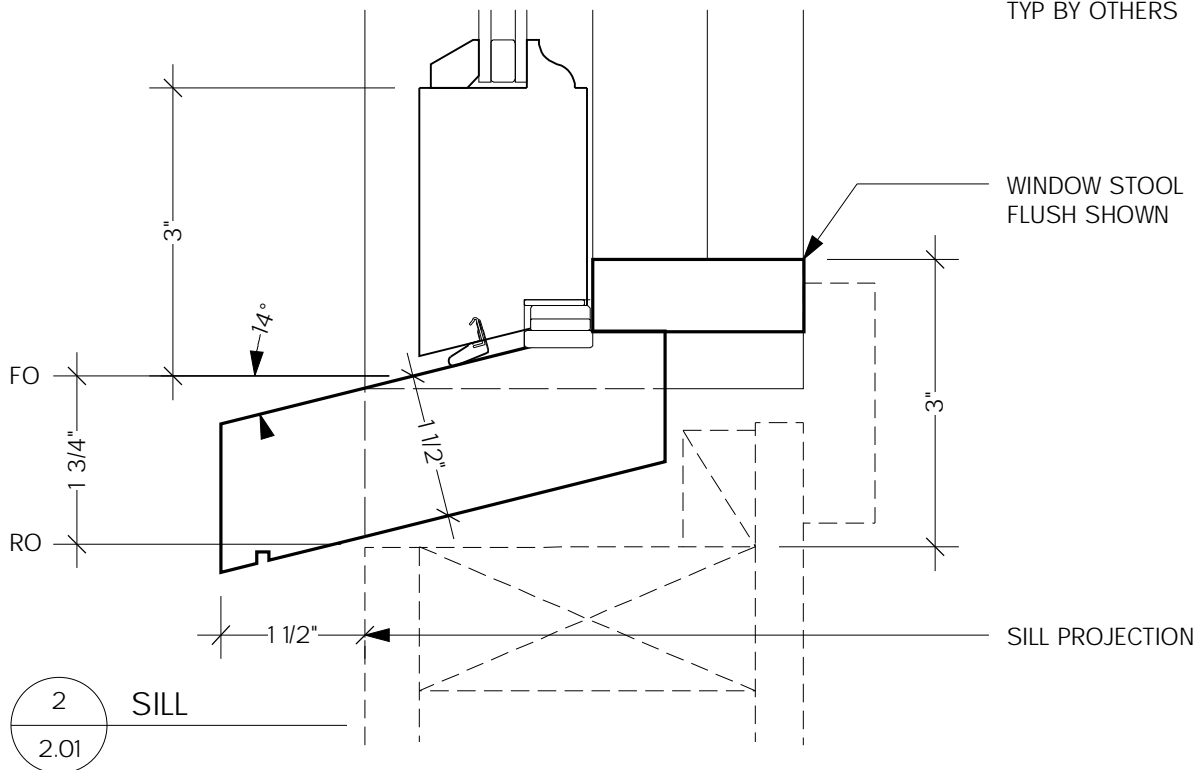
TRUTH CONCEALED 4-BAR STAINLESS STEEL FRICTION HINGES

SASH STICKING 1/2" OGEE SHOWN

GLAZING, 1/2" INSULATING GLASS SHOWN

FINISH HARDWARE (SASH LOCKS, HANDLES) TYP BY OTHERS

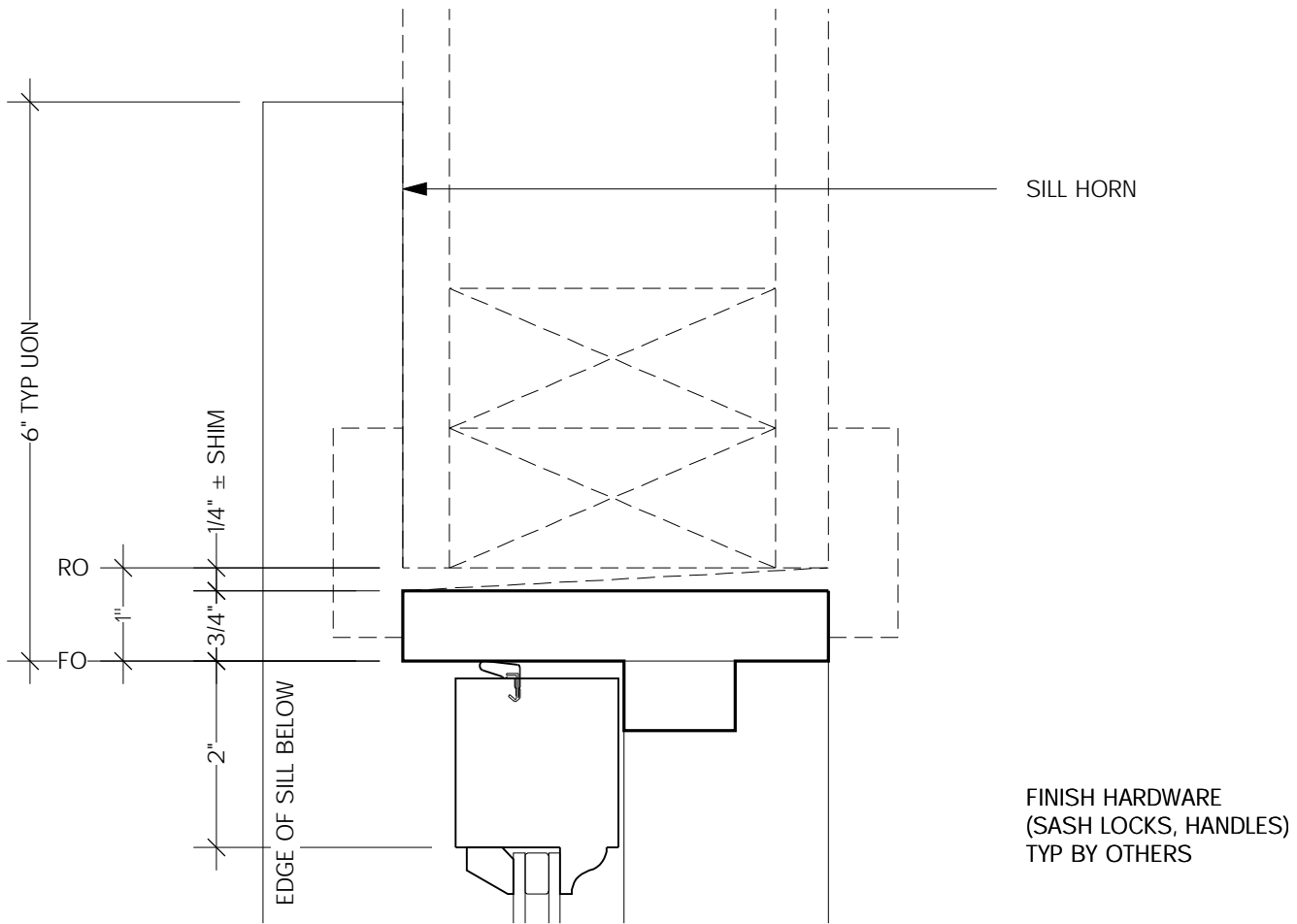
WINDOW STOOL FLUSH SHOWN



SILL PROJECTION

SHORT DASHED LINE INDICATES BY OTHERS

HINGED, CASEMENT (CS)	1/2 FULL SIZE		7/14/04
STANDARD DETAILS	<b>SEBASTOPOL</b> WINDOW COMPANY	APPROVED	SHEET 2.01



1  
2.02

JAMB

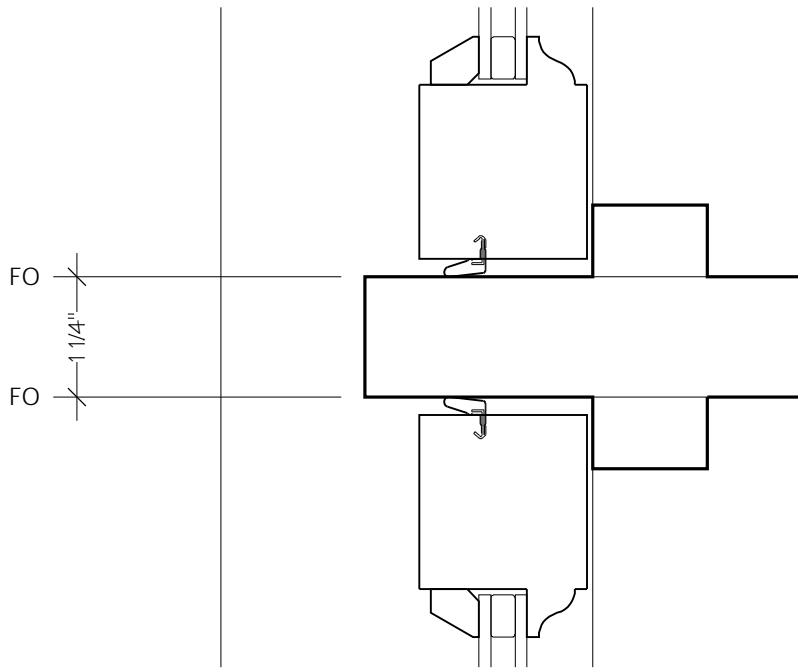
----- SHORT DASHED LINE INDICATES BY OTHERS

HINGED, CASEMENT (CS)	1/2 FULL SIZE		7/14/04
STANDARD DETAILS		APPROVED	SHEET 2.02

DATE

SHEET

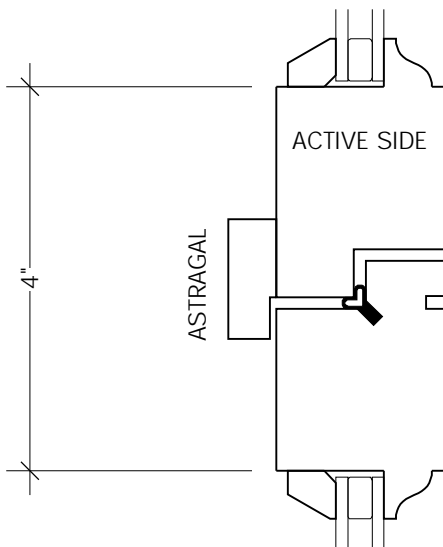
2.02



1  
2.03

MULLION

FINISH HARDWARE  
(SASH LOCKS, HANDLES)  
TYP BY OTHERS



2  
2.03

MEETING STILES  
(FRENCH CASEMENT)

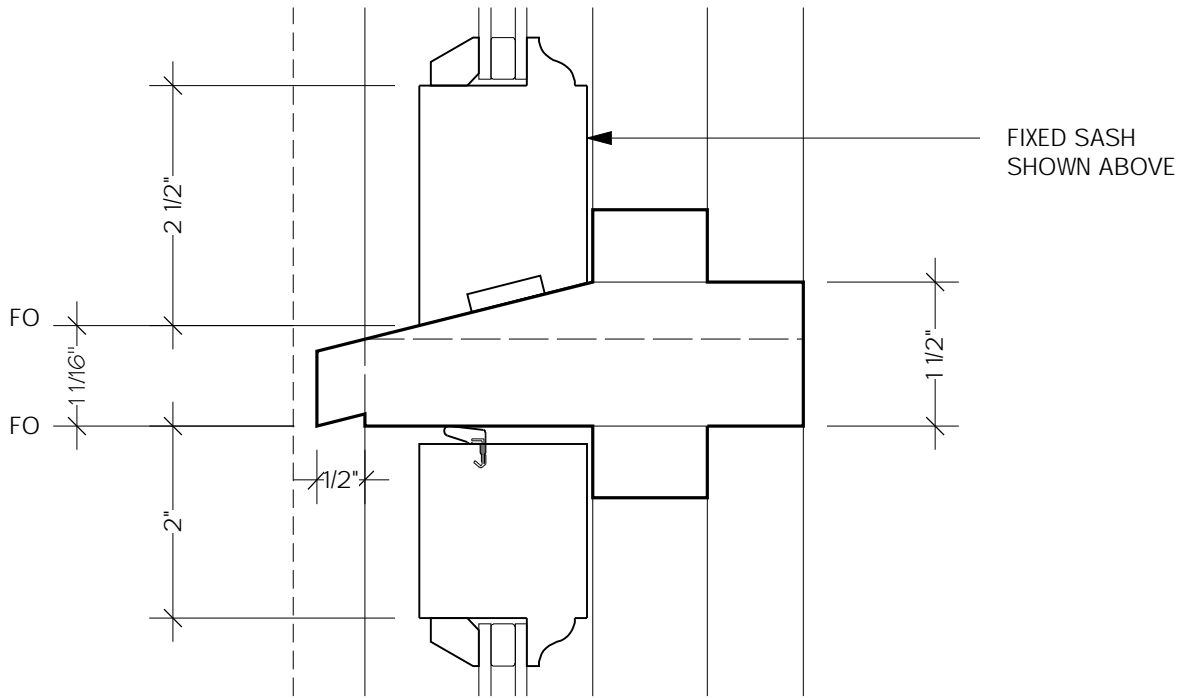
----- SHORT DASHED LINE INDICATES BY OTHERS

HINGED, CASEMENT (CS)	1/2 FULL SIZE		7/14/04
STANDARD DETAILS		APPROVED	SHEET 2.03

DATE

SHEET

StdetWEB.mcd



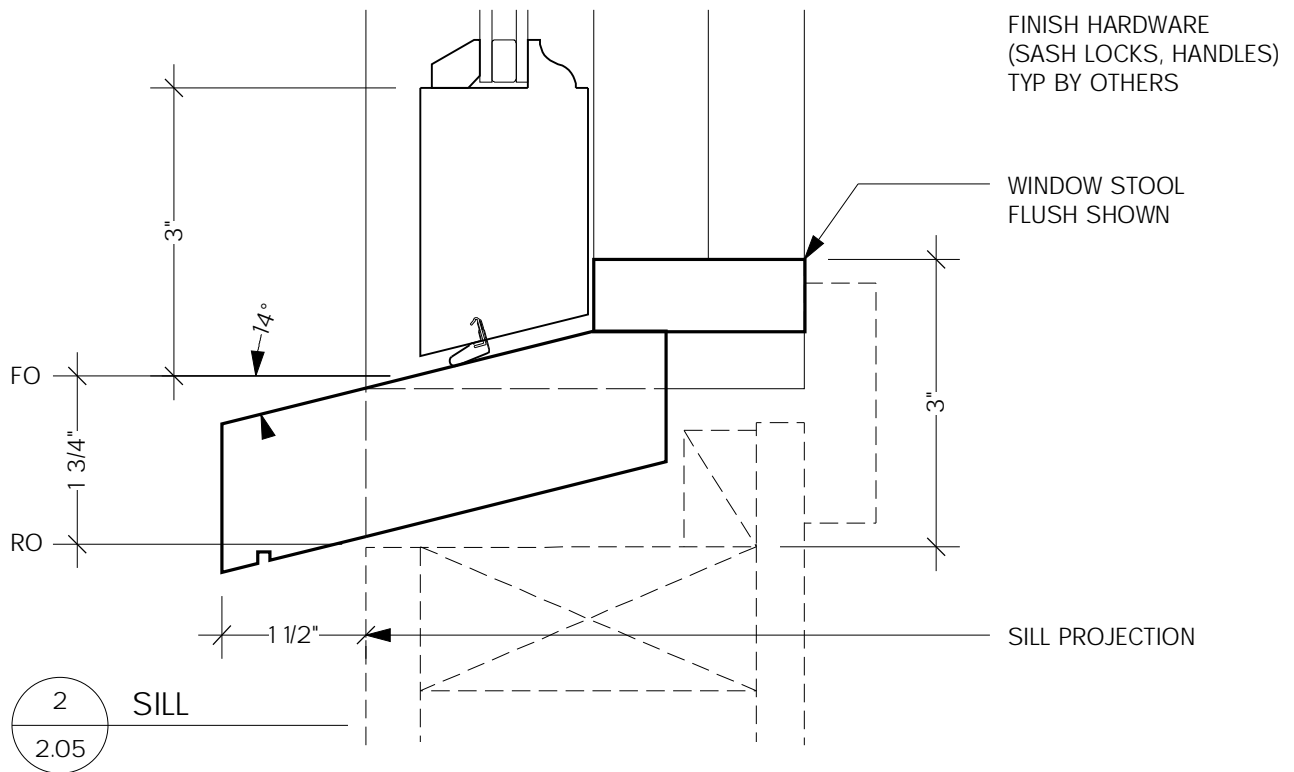
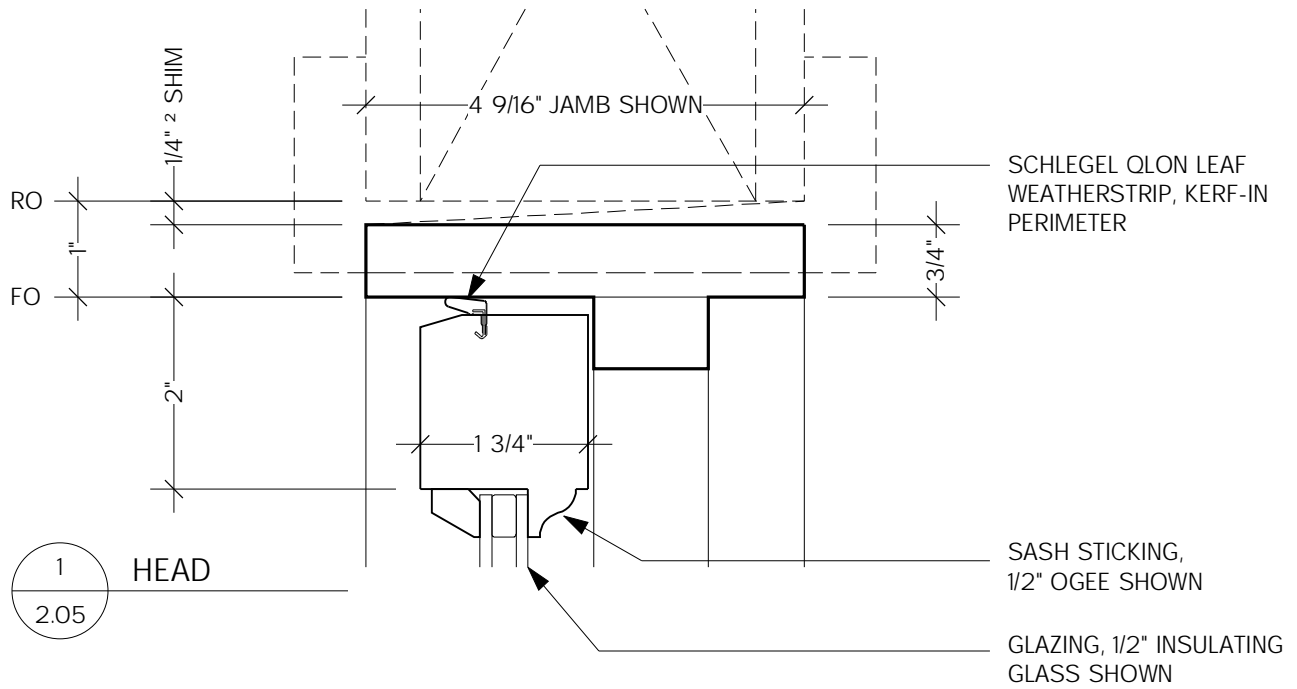
1 TRANSOM SILL  
2.04

----- SHORT DASHED LINE INDICATES BY OTHERS

HINGED, CASEMENT (CS)	1/2 FULL SIZE		7/14/04
STANDARD DETAILS		APPROVED	SHEET 2.04

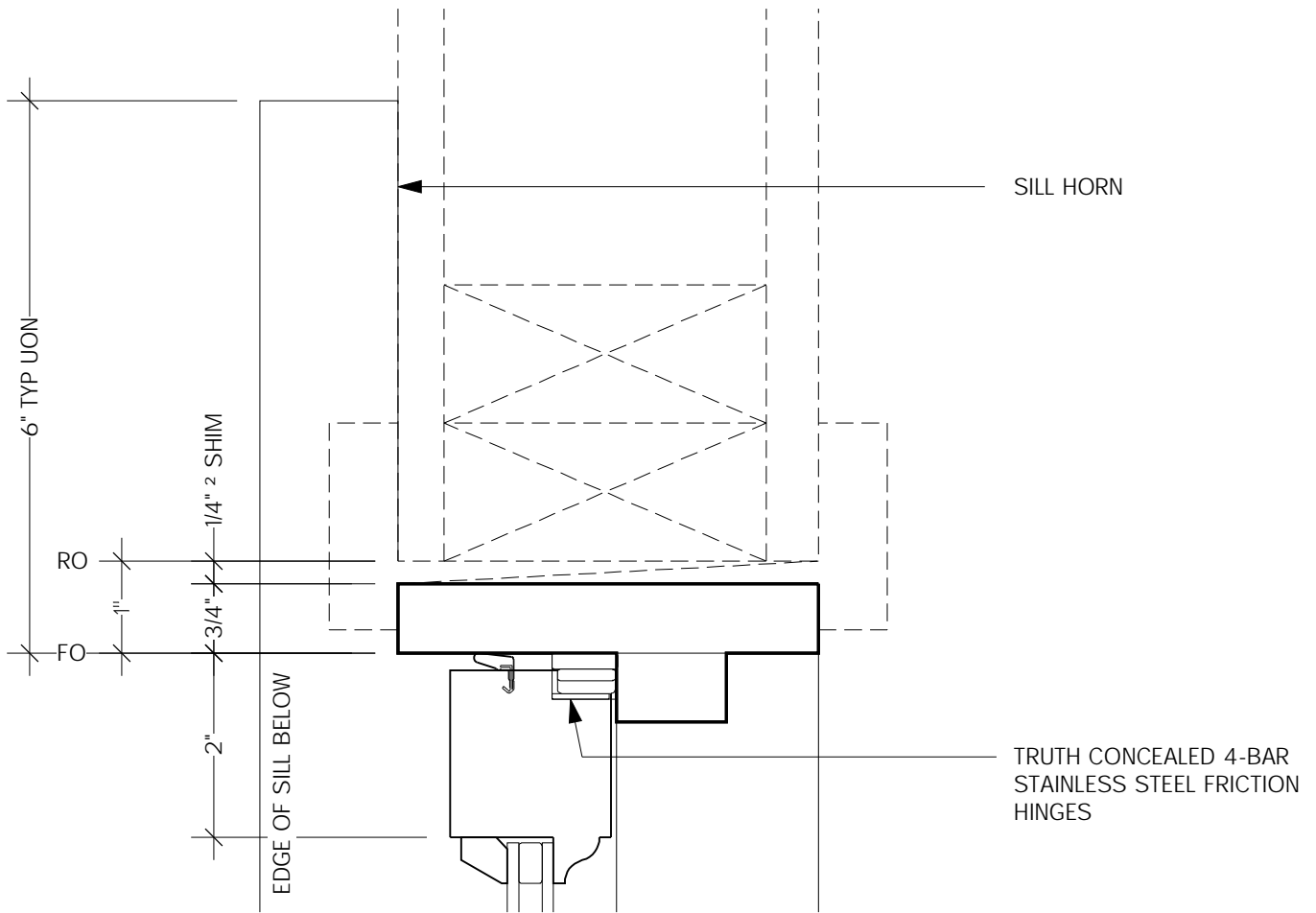
DATE

SHEET



----- SHORT DASHED LINE INDICATES BY OTHERS

HINGED, AWNING (AW)	1/2 FULL SIZE		7/14/04
STANDARD DETAILS	<b>SEBASTOPOL</b> WINDOW COMPANY	APPROVED	SHEET 2.05



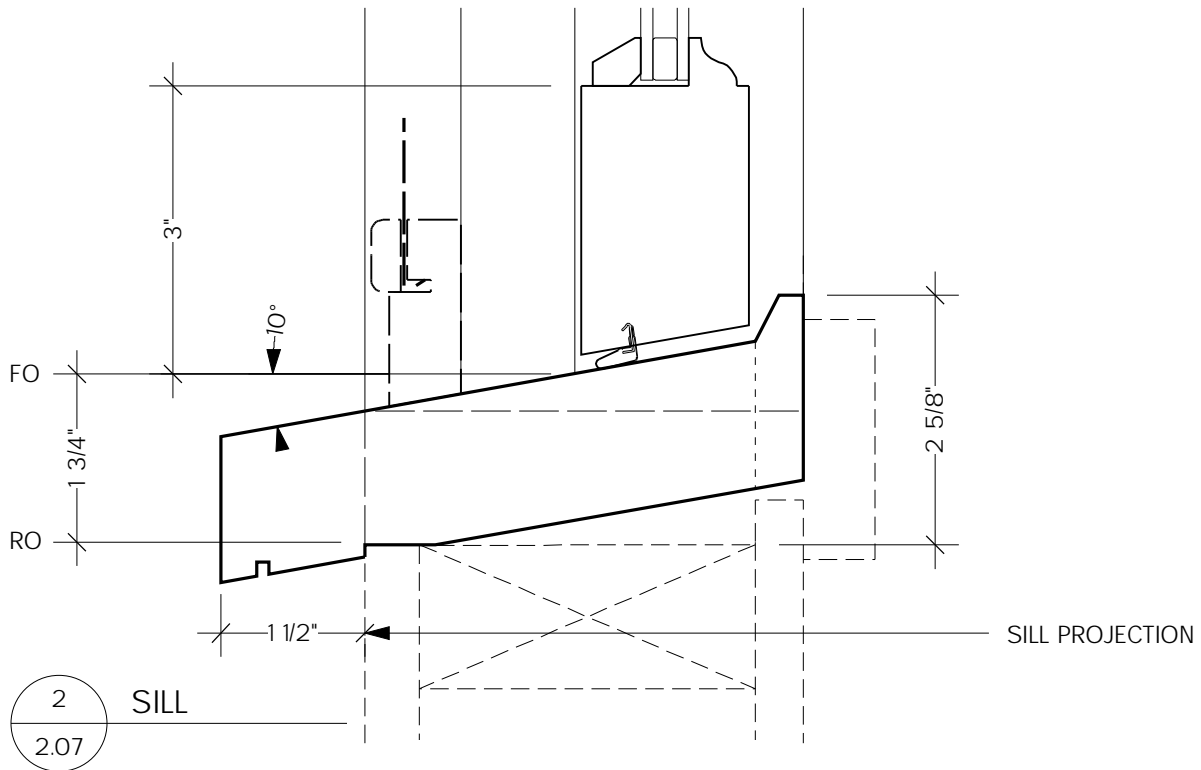
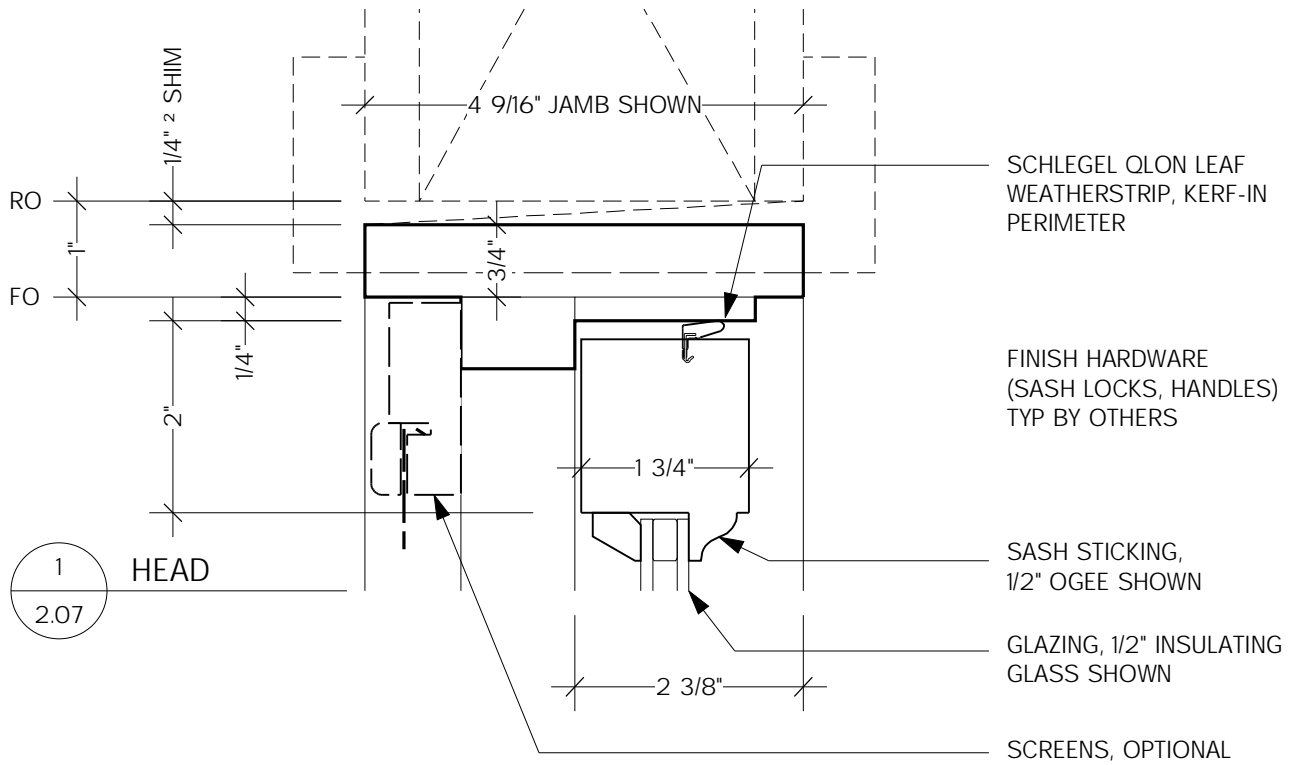
1 JAMB  
2.06

----- SHORT DASHED LINE INDICATES BY OTHERS

HINGED, AWNING (AW)	1/2 FULL SIZE		7/14/04
STANDARD DETAILS	<b>SEBASTOPOL</b> WINDOW COMPANY	APPROVED	SHEET 2.06

DATE

StdetWEB.mcd

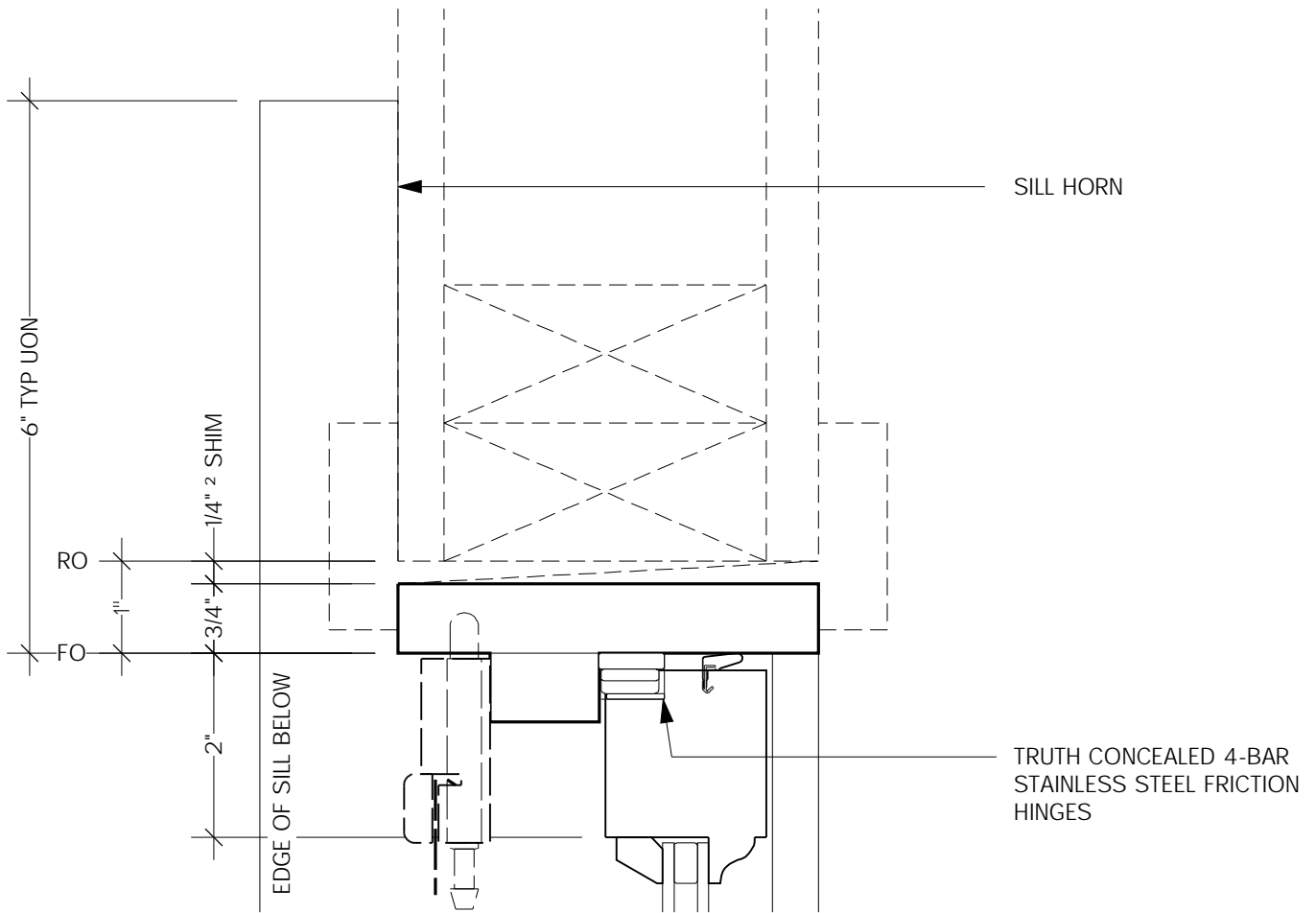


----- SHORT DASHED LINE INDICATES BY OTHERS

HINGED, HOPPER (HP)	1/2 FULL SIZE		7/14/04
STANDARD DETAILS	<b>SEBASTOPOL</b> WINDOW COMPANY	APPROVED	SHEET 2.07

DATE

StddetWEB.mcd



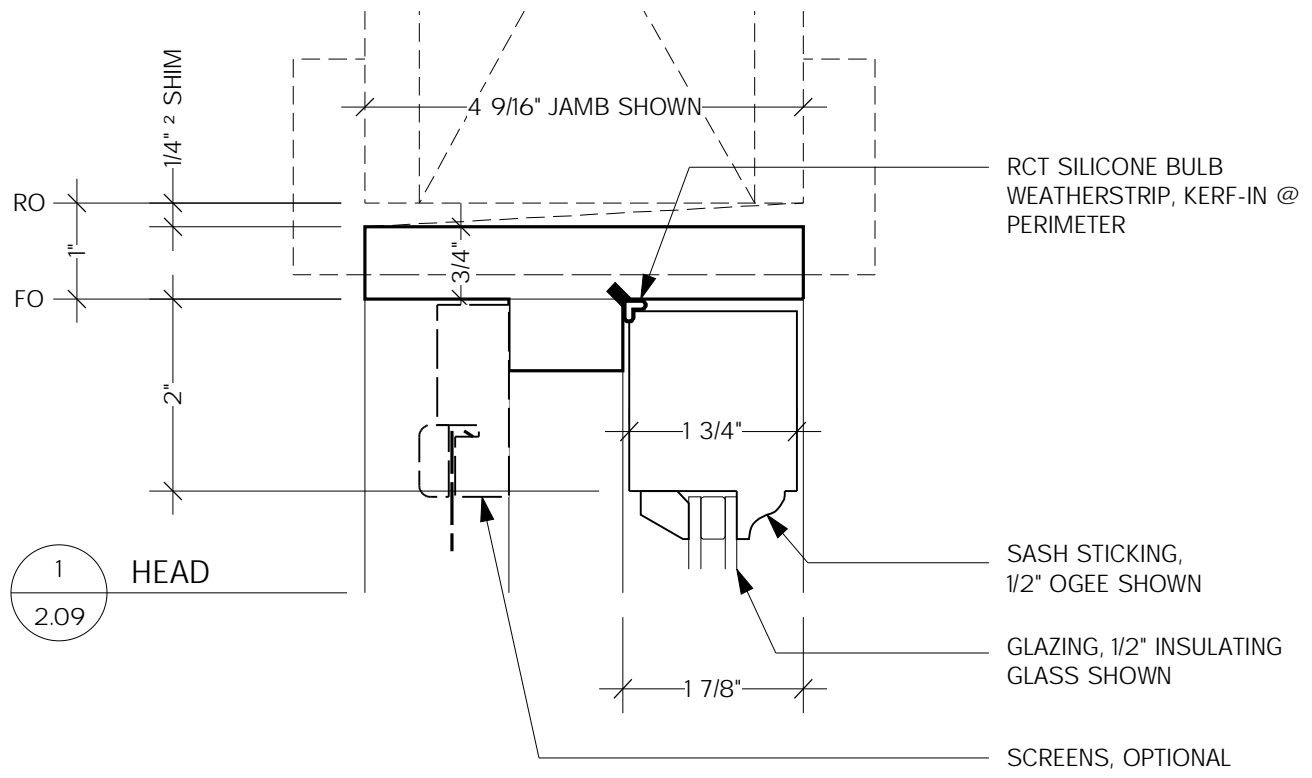
1 JAMB  
2.08

----- SHORT DASHED LINE INDICATES BY OTHERS

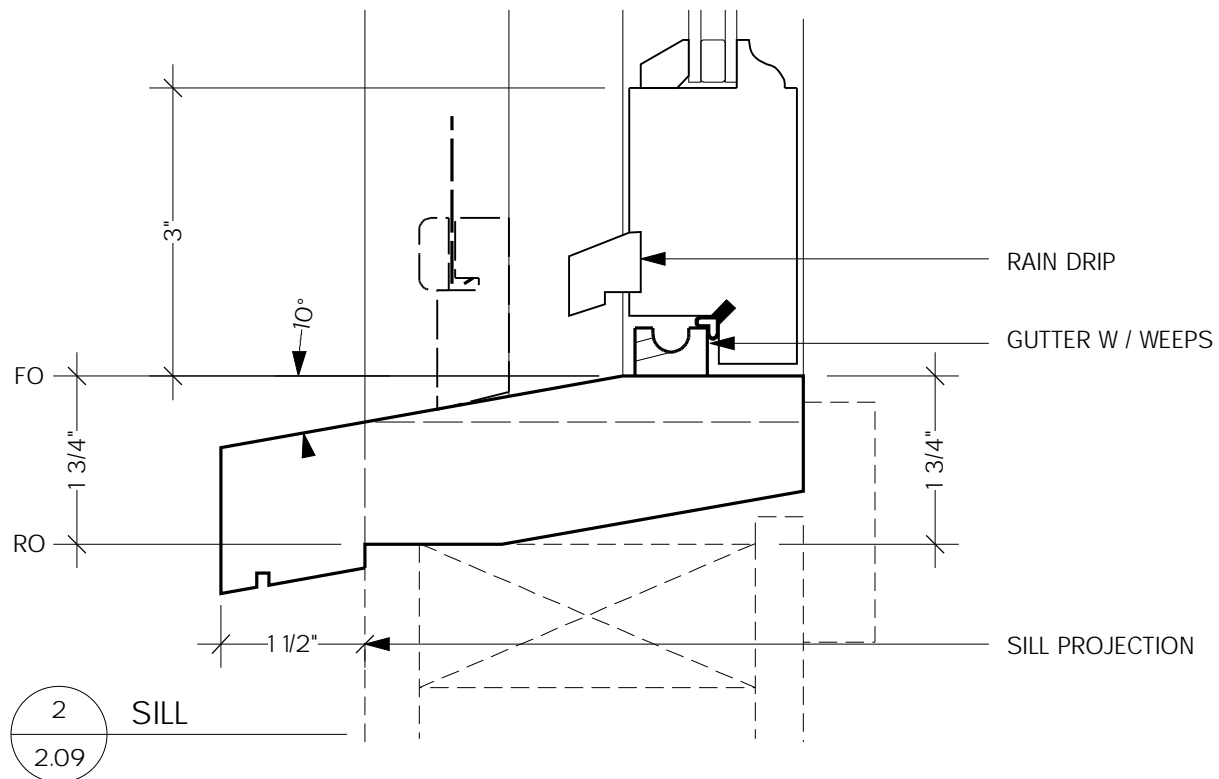
HINGED, HOPPER (HP)	1/2 FULL SIZE		7/14/04
STANDARD DETAILS	<b>SEBASTOPOL</b> WINDOW COMPANY	APPROVED	SHEET 2.08

DATE

StdetWEB.mcd

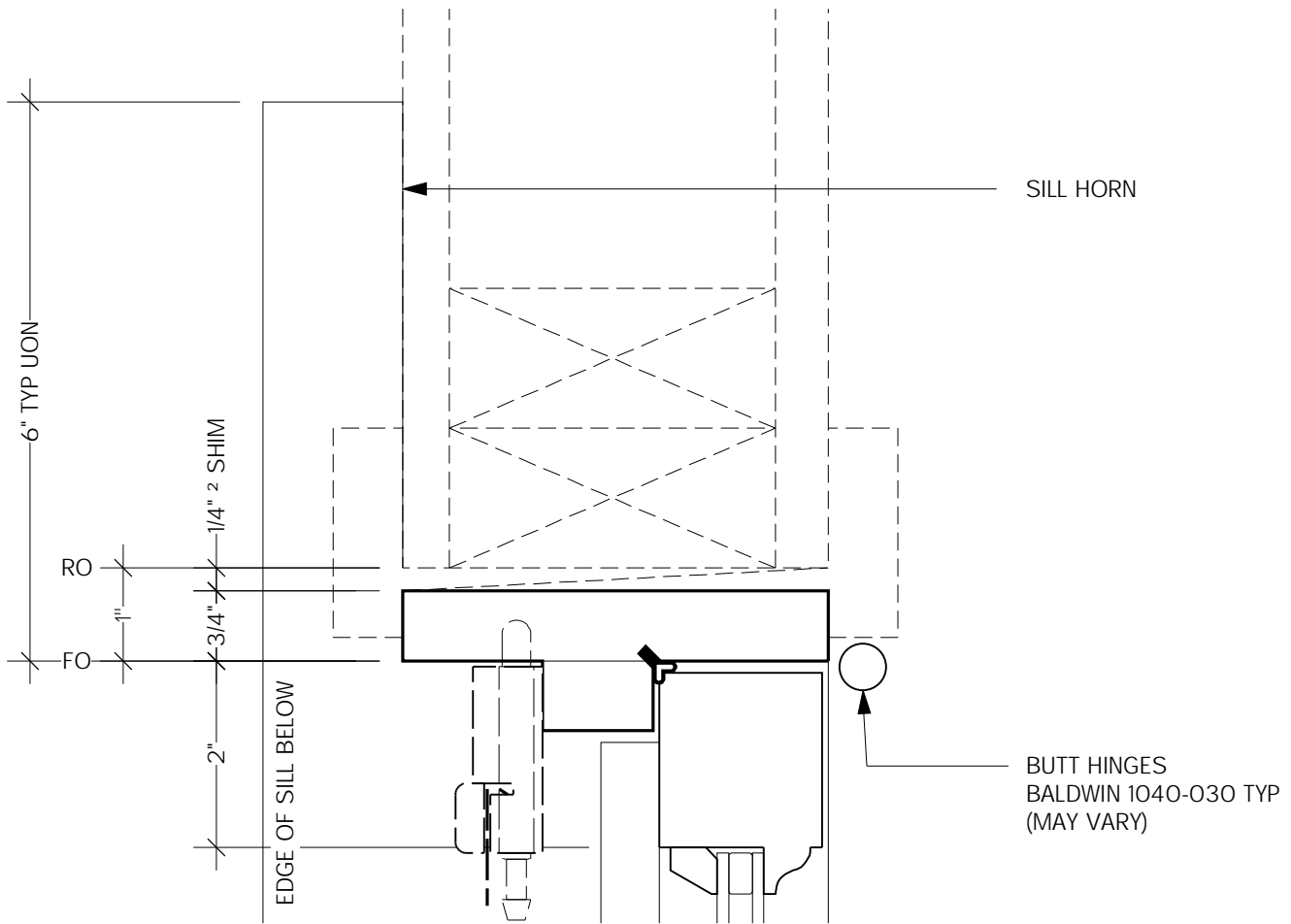


FINISH HARDWARE  
(SASH LOCKS, HANDLES)  
TYP BY OTHERS



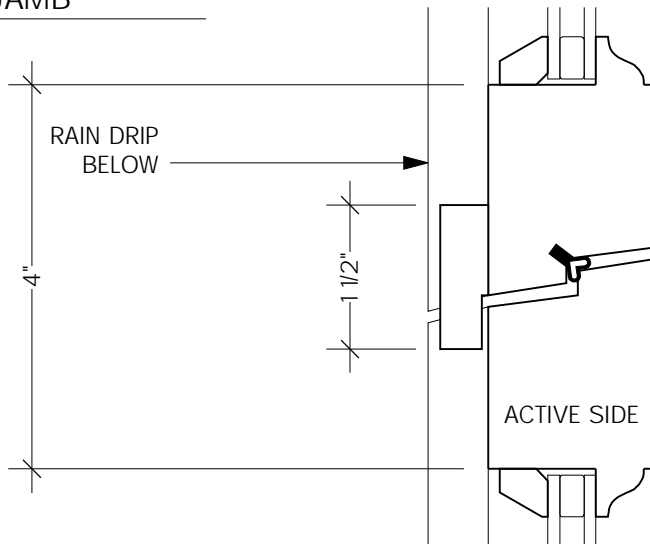
----- SHORT DASHED LINE INDICATES BY OTHERS

CASEMENT, INSWING (CI)	1/2 FULL SIZE		7/14/04
STANDARD DETAILS	<b>SEBASTOPOL</b> WINDOW COMPANY	APPROVED	SHEET 2.09



1  
2.10

JAMB

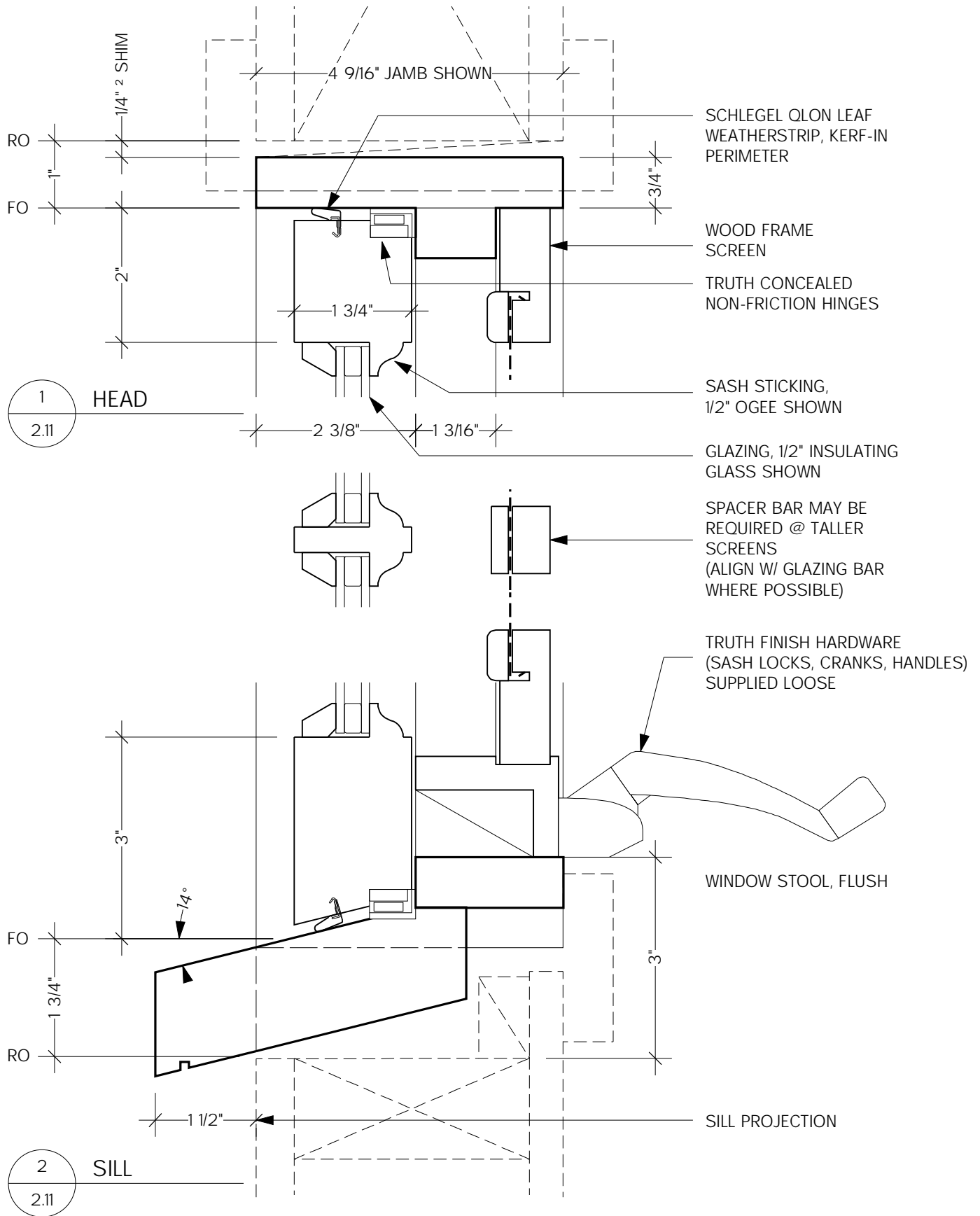


2  
2.10

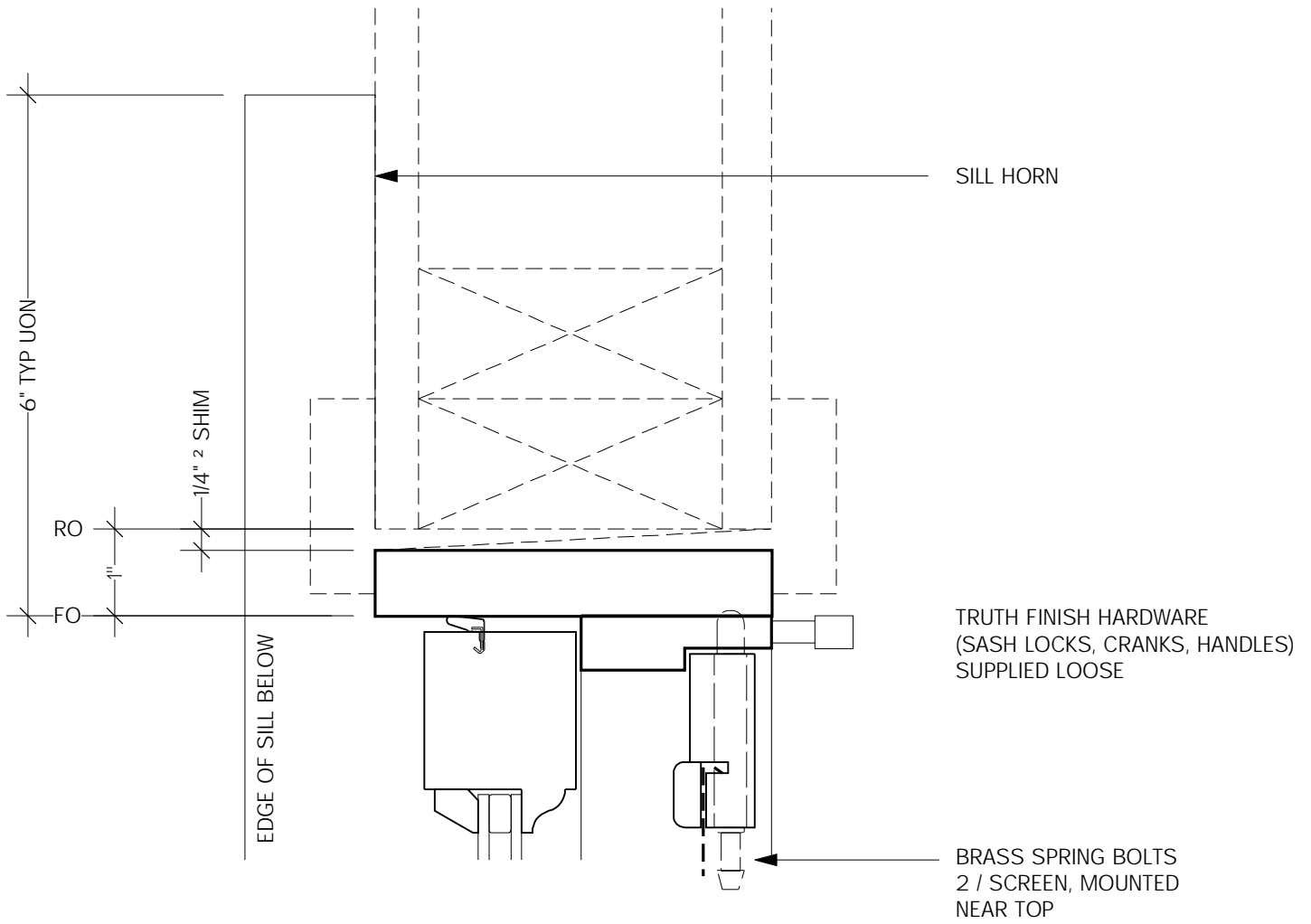
MEETING STILES  
(FRENCH CASEMENT)

----- SHORT DASHED LINE INDICATES BY OTHERS

CASEMENT, INSWING (CI)	1/2 FULL SIZE		7/14/04
STANDARD DETAILS	<b>SEBASTOPOL</b> WINDOW COMPANY	APPROVED	SHEET 2.10



CASEMENT (CS) w/ SCREEN	1/2 FULL SIZE		7/14/04
STANDARD DETAILS	<b>SEBASTOPOL</b> WINDOW COMPANY	APPROVED	SHEET 2.11



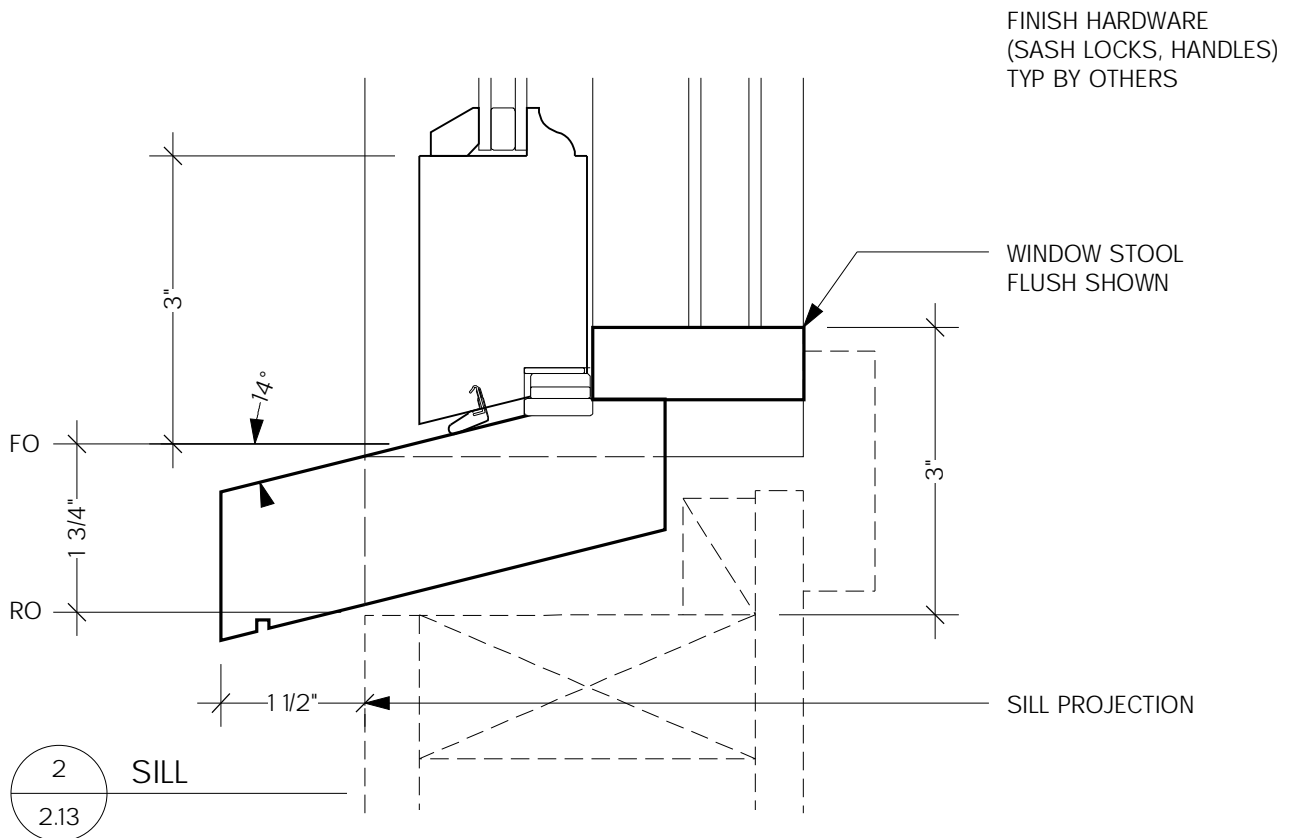
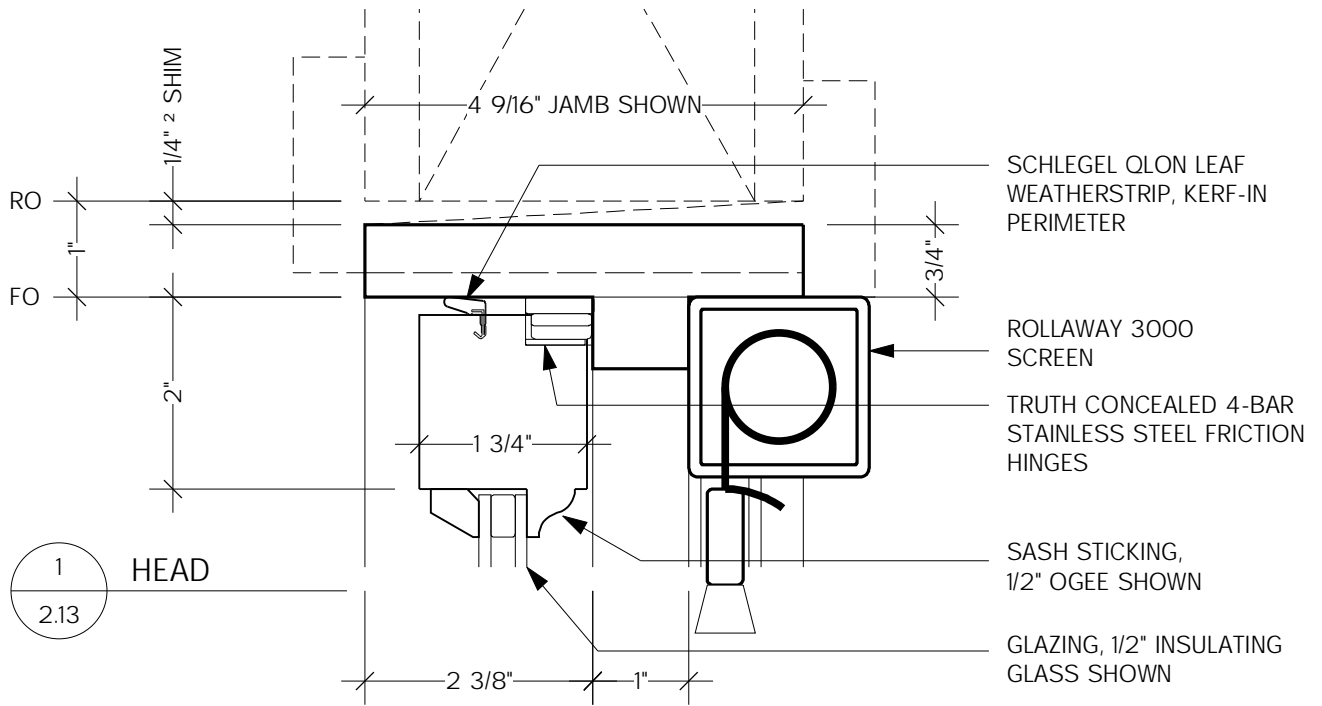
1 JAMB  
2.12

----- SHORT DASHED LINE INDICATES BY OTHERS

CASEMENT (CS) w/ SCREEN	1/2 FULL SIZE		7/14/04
STANDARD DETAILS	<b>SEBASTOPOL</b> WINDOW COMPANY	APPROVED	SHEET 2.12

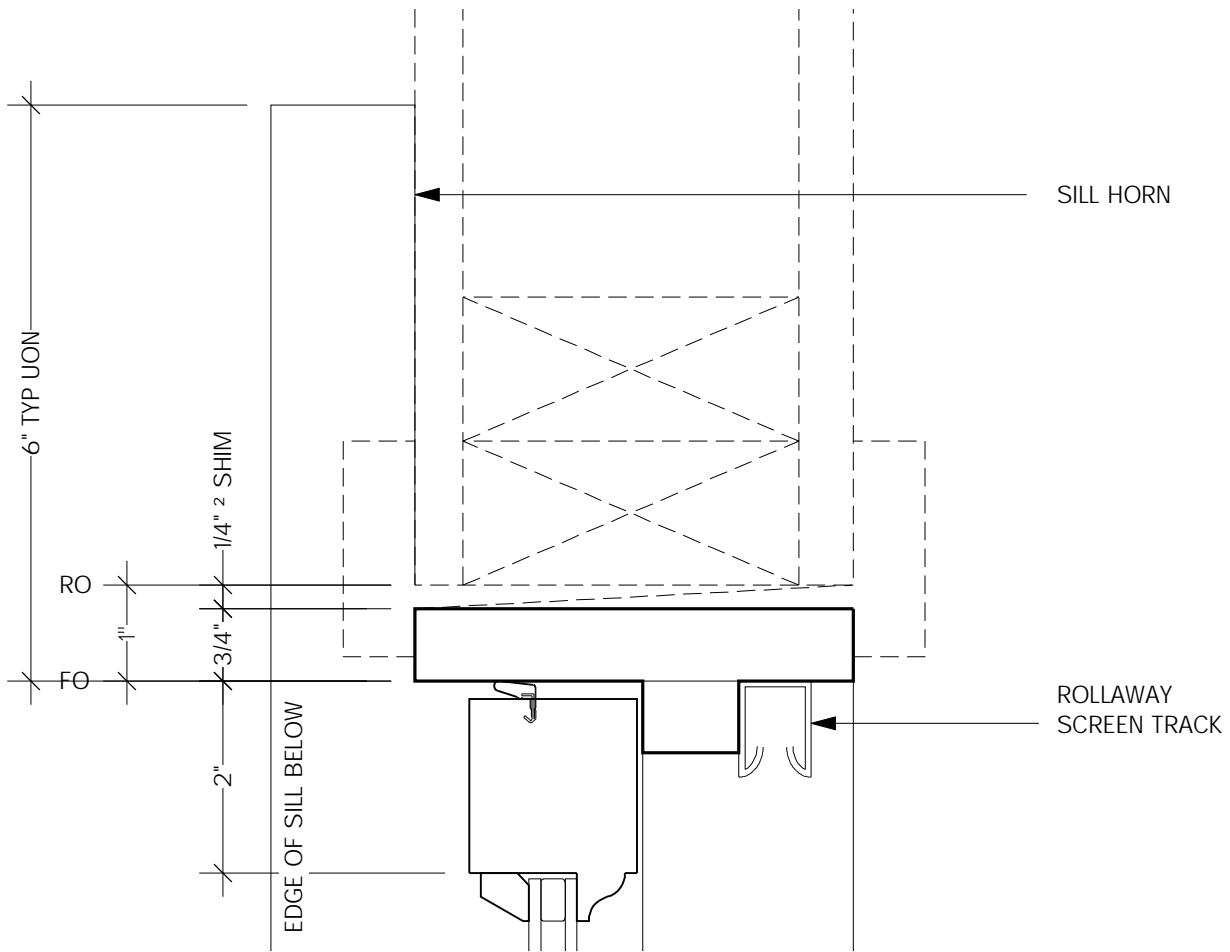
DATE

StddetWEB.mcd



----- SHORT DASHED LINE INDICATES BY OTHERS

CASEMENT (CS) w/ STD ROLLAWAY	1/2 FULL SIZE		7/14/04
STANDARD DETAILS	<b>SEBASTOPOL</b> WINDOW COMPANY	APPROVED	SHEET 2.13



1  
2.14

JAMB

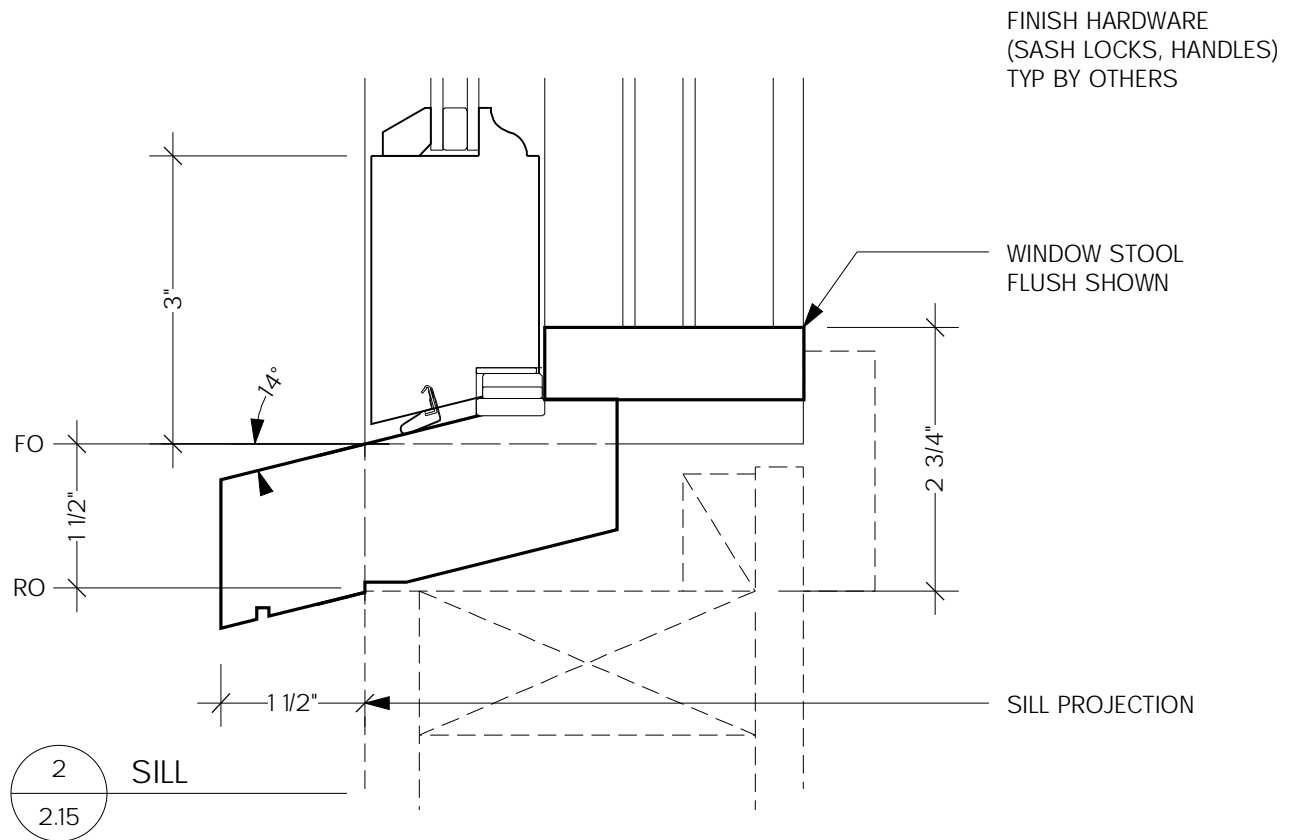
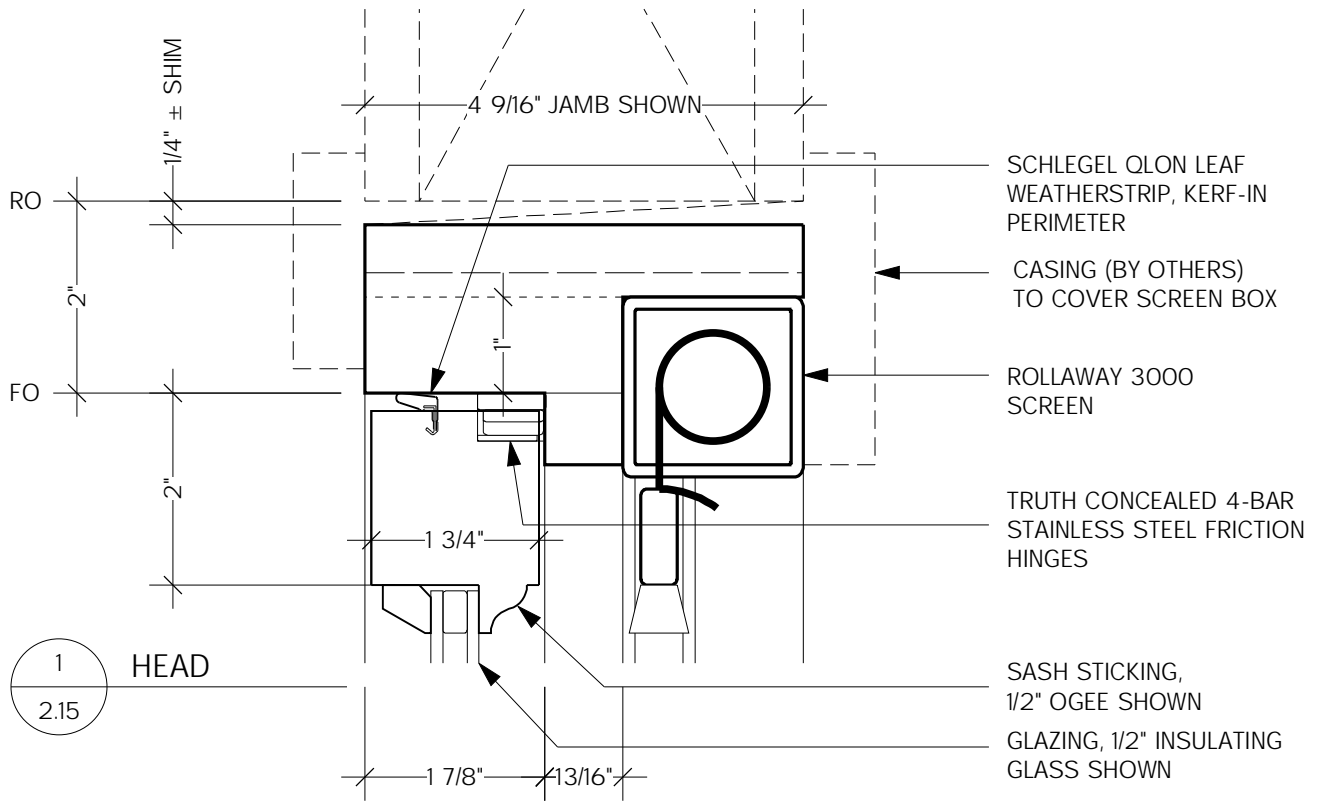
----- SHORT DASHED LINE INDICATES BY OTHERS

CASEMENT (CS) w/ STD ROLLAWAY	1/2 FULL SIZE		7/14/04
STANDARD DETAILS	<b>SEBASTOPOL</b> WINDOW COMPANY	APPROVED	SHEET 2.14

DATE

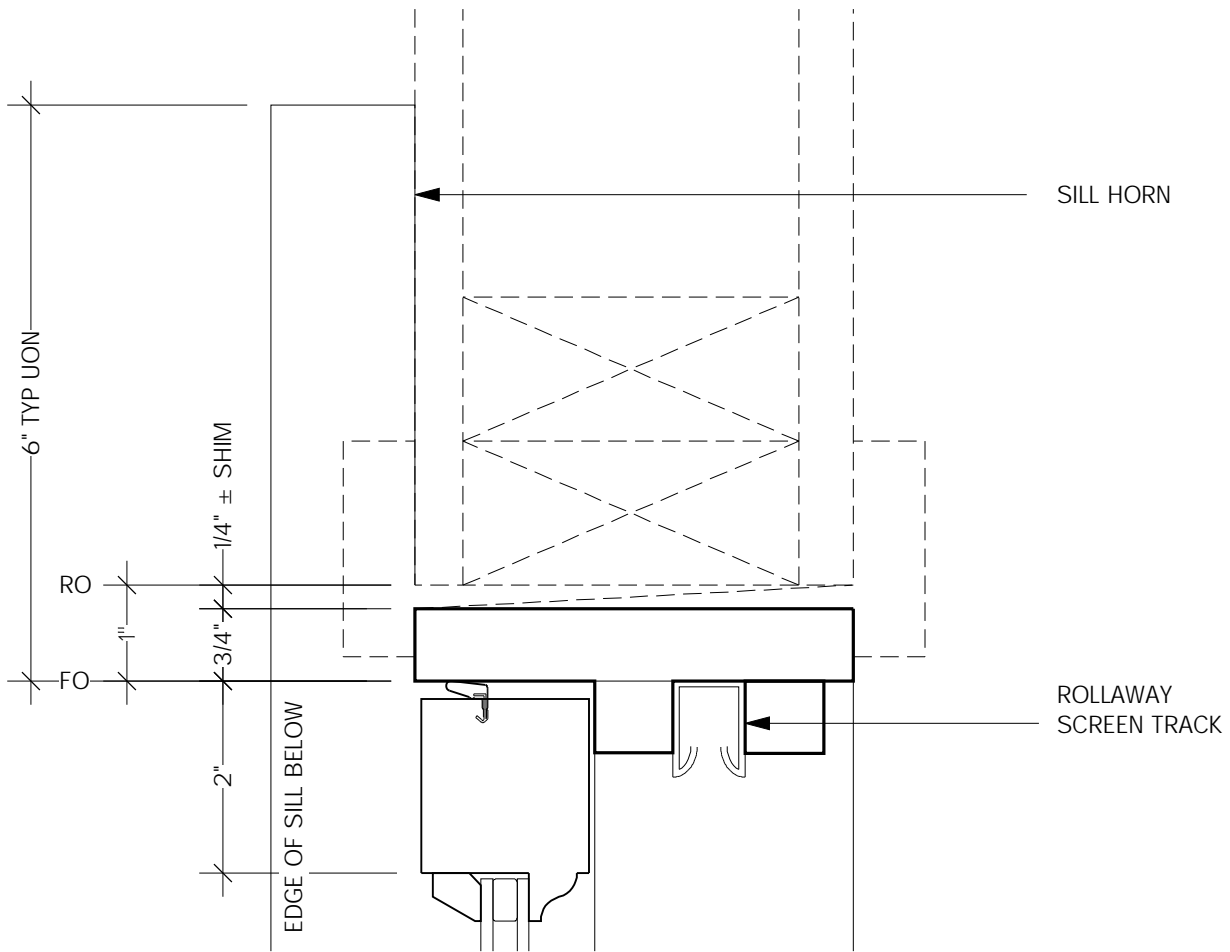
SHEET

StdetWEB.mcd



----- SHORT DASHED LINE INDICATES BY OTHERS

CSMT (CS) w/ CONCEAL ROLLAWAY	1/2 FULL SIZE		7/14/04
STANDARD DETAILS	<b>SEBASTOPOL</b> WINDOW COMPANY	APPROVED	SHEET 2.15



1 JAMB  
2.16

----- SHORT DASHED LINE INDICATES BY OTHERS

CSMT (CS) w/ CONCEALED ROLLAWAY	1/2 FULL SIZE		7/14/04
STANDARD DETAILS	<b>SEBASTOPOL</b> WINDOW COMPANY	APPROVED	SHEET 2.16

DATE

SHEET

StdetWEB.mcd